



■ Features :

- 2:1 wide input range
- Protections: Short circuit/Over load/Over voltage/Over temperature
- 1500VDC I/O isolation
- Forced air cooling by built-in DC Fan
- 100% full load burn-in test
- 2 years warranty



SPECIFICATION

| MODEL | | SD-350B | | | | SD-350C | | | | |
|-----------------------|--|---|------------|--------------|------------|---------------|------------|--------------|------------|--|
| OUTPUT | DC VOLTAGE | 5V | 12V | 24V | 48V | 5V | 12V | 24V | 48V | |
| | RATED CURRENT | 57A | 27.5A | 14.6A | 7.3A | 60A | 27.5A | 14.6A | 7.3A | |
| | CURRENT RANGE | 0 ~ 57A | 0 ~ 27.5A | 0 ~ 14.6A | 0 ~ 7.3A | 0 ~ 60A | 0 ~ 27.5A | 0 ~ 14.6A | 0 ~ 7.3A | |
| | RATED POWER | 285W | 330W | 350.4W | 350.4W | 300W | 330W | 350.4W | 350.4W | |
| | RIPPLE & NOISE (max.) Note.2 | 100mVp-p | 120mVp-p | 150mVp-p | 200mVp-p | 100mVp-p | 120mVp-p | 150mVp-p | 200mVp-p | |
| | VOLTAGE ADJ. RANGE | 4.5 ~ 5.5VDC | 11 ~ 16VDC | 23 ~ 30VDC | 43 ~ 53VDC | 4.5 ~ 5.5VDC | 11 ~ 16VDC | 23 ~ 30VDC | 43 ~ 53VDC | |
| | VOLTAGE TOLERANCE Note.3 | ±2.0% | ±1.0% | ±1.0% | ±1.0% | ±2.0% | ±1.0% | ±1.0% | ±1.0% | |
| | LINE REGULATION | ±0.5% | ±0.3% | ±0.2% | ±0.2% | ±0.5% | ±0.3% | ±0.2% | ±0.2% | |
| | LOAD REGULATION | ±1.0% | ±1.0% | ±1.0% | ±1.0% | ±1.0% | ±1.0% | ±1.0% | ±1.0% | |
| SETUP, RISE TIME | 300ms, 50ms at full load | | | | | | | | | |
| INPUT | VOLTAGE RANGE | B:19 ~ 36VDC | | C:36 ~ 72VDC | | D:72 ~ 144VDC | | | | |
| | EFFICIENCY (Typ.) | 74% | 80% | 80% | 84% | 76% | 81% | 81% | 82% | |
| | DC CURRENT | 18A/24V | 20A/24V | 22A/24V | 22A/24V | 9.5A/48V | 11A/48V | 10.7A/48V | 10.7A/48V | |
| | INRUSH CURRENT (max.) | C:50A/48VDC | | D:50A/96VDC | | | | | | |
| PROTECTION | OVER LOAD | 105 ~ 135% rated output power Protection type : Shut down o/p voltage, re-power on to recover | | | | | | | | |
| | OVER VOLTAGE | 5.75 ~ 6.75V | 16.8 ~ 20V | 31.5 ~ 37.5V | 53 ~ 65V | 5.75 ~ 6.75V | 16.8 ~ 20V | 31.5 ~ 37.5V | 53 ~ 65V | |
| | OVER TEMPERATURE | 95°C ±5°C (TSW1) Detect on main power transistor Protection type : Shut down o/p voltage, recovers automatically after temperature goes down | | | | | | | | |
| ENVIRONMENT | WORKING TEMP. | -20 ~ +60°C (Refer to output load derating curve) | | | | | | | | |
| | WORKING HUMIDITY | 20 ~ 90% RH non-condensing | | | | | | | | |
| | STORAGE TEMP., HUMIDITY | -40 ~ +85°C, 10 ~ 95% RH | | | | | | | | |
| | TEMP. COEFFICIENT | ±0.03%/°C (0 ~ 50°C) | | | | | | | | |
| | VIBRATION | 10 ~ 500Hz, 2G 10min./1cycle, 60min. each along X, Y, Z axes | | | | | | | | |
| SAFETY & EMC (Note 4) | SAFETY STANDARDS | 24V and 48V input design refer to LVD | | | | | | | | |
| | WITHSTAND VOLTAGE | I/P-O/P:1.5KVAC I/P-FG:1.5KVAC O/P-FG:0.5KVAC | | | | | | | | |
| | ISOLATION RESISTANCE | I/P-O/P, I/P-FG, O/P-FG:100M Ohms/500VDC | | | | | | | | |
| | EMI CONDUCTION & RADIATION | Compliance to EN55022 (CISPR22) Class B | | | | | | | | |
| OTHERS | EMS IMMUNITY | Compliance to EN61000-4-2,3,4,6,8; ENV50204 heavy industry level, criteria A | | | | | | | | |
| | MTBF | 209.4K hrs min. MIL-HDBK-217F (25°C) | | | | | | | | |
| | DIMENSION | 215*115*50mm (L*W*H) | | | | | | | | |
| | PACKING | 1.1Kg; 12pcs/14.4Kg/0.98CUFT | | | | | | | | |
| NOTE | <ol style="list-style-type: none"> 1. All parameters NOT specially mentioned are measured at 24,48,96VDC input, rated load and 25°C of ambient temperature. 2. Ripple & noise are measured at 20MHz of bandwidth by using a 12" twisted pair-wire terminated with a 0.1uf & 47uf parallel capacitor. 3. Tolerance : includes set up tolerance, line regulation and load regulation. 4. The power supply is considered a component which will be installed into a final equipment. The final equipment must be re-confirmed that it still meets EMC directives. | | | | | | | | | |



■ Features :

- 2:1 wide input range
- Protections: Short circuit/Over load/Over voltage/Over temperature
- 1500VDC I/O isolation
- Forced air cooling by built-in DC Fan
- 100% full load burn-in test
- 2 years warranty

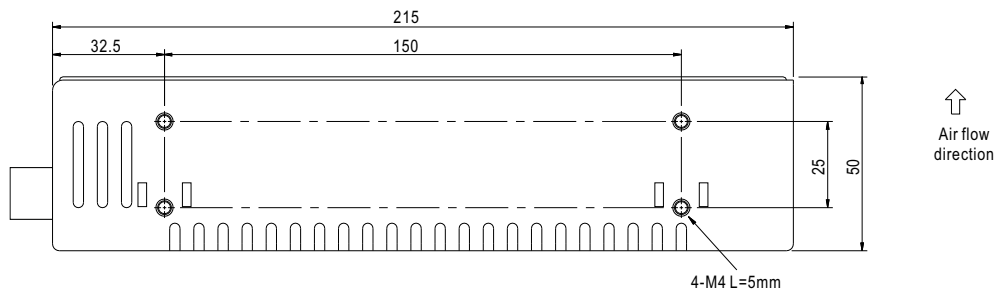
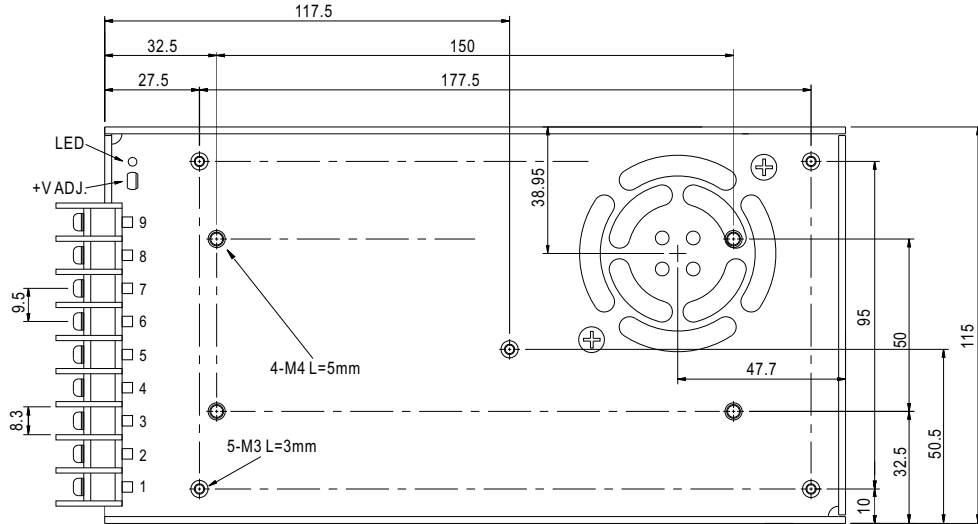


SPECIFICATION

| MODEL | | SD-350D | | | |
|-----------------------|------------------------------|--|------------|--------------|------------|
| OUTPUT | DC VOLTAGE | 5V | 12V | 24V | 48V |
| | RATED CURRENT | 60A | 29.2A | 14.6A | 7.3A |
| | CURRENT RANGE | 0 ~ 60A | 0 ~ 29.2A | 0 ~ 14.6A | 0 ~ 7.3A |
| | RATED POWER | 300W | 350.4W | 350.4W | 350.4W |
| | RIPPLE & NOISE (max.) Note.2 | 100mVp-p | 120mVp-p | 150mVp-p | 200mVp-p |
| | VOLTAGE ADJ. RANGE | 4.5 ~ 5.5VDC | 11 ~ 16VDC | 23 ~ 30VDC | 43 ~ 53VDC |
| | VOLTAGE TOLERANCE Note.3 | ±2.0% | ±1.0% | ±1.0% | ±1.0% |
| | LINE REGULATION | ±0.5% | ±0.3% | ±0.2% | ±0.2% |
| | LOAD REGULATION | ±1.0% | ±1.0% | ±1.0% | ±1.0% |
| SETUP, RISE TIME | 300ms, 50ms at full load | | | | |
| INPUT | VOLTAGE RANGE | B:19 ~ 36VDC C:36 ~ 72VDC D:72 ~ 144VDC | | | |
| | EFFICIENCY (Typ.) | 78% | 83% | 87% | 89% |
| | DC CURRENT | 5A/96V | 5.5A/96V | 5.3A/96V | 5.2A/96V |
| | INRUSH CURRENT (max.) | C:50A/48VDC D:50A/96VDC | | | |
| PROTECTION | OVER LOAD | 105 ~ 135% rated output power Protection type : Shut down o/p voltage, re-power on to recover | | | |
| | OVER VOLTAGE | 5.75 ~ 6.75V | 16.8 ~ 20V | 31.5 ~ 37.5V | 53 ~ 65V |
| | OVER TEMPERATURE | 75°C ±5°C (TSW1) Detect on main power transistor Protection type : Shut down o/p voltage, recovers automatically after temperature goes down | | | |
| ENVIRONMENT | WORKING TEMP. | -20 ~ +60°C (Refer to output load derating curve) | | | |
| | WORKING HUMIDITY | 20 ~ 90% RH non-condensing | | | |
| | STORAGE TEMP., HUMIDITY | -40 ~ +85°C, 10 ~ 95% RH | | | |
| | TEMP. COEFFICIENT | ±0.03%/°C (0 ~ 50°C) | | | |
| | VIBRATION | 10 ~ 500Hz, 2G 10min./1cycle, 60min. each along X, Y, Z axes | | | |
| SAFETY & EMC (Note 4) | SAFETY STANDARDS | 24V and 48V input design refer to LVD | | | |
| | WITHSTAND VOLTAGE | I/P-O/P:1.5KVAC I/P-FG:1.5KVAC O/P-FG:0.5KVAC | | | |
| | ISOLATION RESISTANCE | I/P-O/P, I/P-FG, O/P-FG:100M Ohms/500VDC | | | |
| | EMI CONDUCTION & RADIATION | Compliance to EN55022 (CISPR22) Class B | | | |
| OTHERS | EMS IMMUNITY | Compliance to EN61000-4-2,3,4,6,8; ENV50204 heavy industry level, criteria A | | | |
| | MTBF | 209.4K hrs min. MIL-HDBK-217F (25°C) | | | |
| | DIMENSION | 215*115*50mm (L*W*H) | | | |
| NOTE | PACKING | 1.1Kg; 12pcs/14.4Kg/0.98CUFT | | | |
| | | 1. All parameters NOT specially mentioned are measured at 24,48,96VDC input, rated load and 25°C of ambient temperature. 2. Ripple & noise are measured at 20MHz of bandwidth by using a 12" twisted pair-wire terminated with a 0.1uf & 47uf parallel capacitor. 3. Tolerance : includes set up tolerance, line regulation and load regulation. 4. The power supply is considered a component which will be installed into a final equipment. The final equipment must be re-confirmed that it still meets EMC directives. | | | |

Mechanical Specification

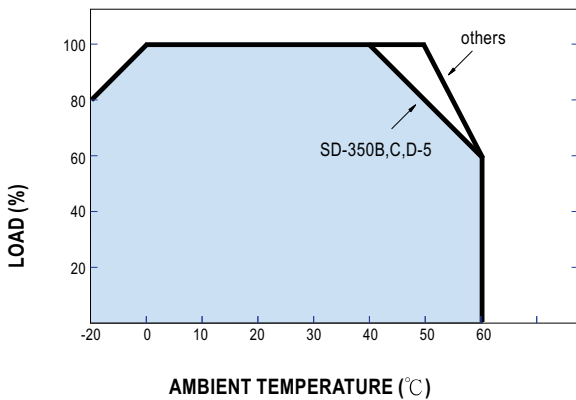
Case No. 912 Unit:mm



Terminal pin number assignment :

| Pin No. | Assignment | Pin No. | Assignment |
|---------|-------------|---------|--------------|
| 1 | DC INPUT V+ | 4,5,6 | DC OUTPUT V- |
| 2 | DC INPUT V- | 7,8,9 | DC OUTPUT V+ |
| 3 | FG \perp | | |

Derating Curve



Static Characteristics

